

Retractable door system

► KA 5740



Stroke of genius

Mounted on the KA 5740 retractable door fitting, the doors can slide back into the sides of the cabinet body when they are opened. Perfect, for example, for TV and multimedia furniture or for a cocktail cabinet that opens up in a jiffy and disappears again just as quickly. The fitting's mechanism

also vanishes from view: simply by using face frame hinges. Hettich retractable door fitting KA 5740 is suitable for door widths of 300 to 700 mm. All options with roll-out prevention.



Furniture versatility:

All contents revealed and neat, tidy organisation in an instant.



Creating space:

The KA 5740 makes the doors vanish completely in the cabinet body after opening them.

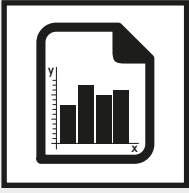


Hidden working parts:

Large domestic appliances can be hidden from view behind the pocket doors.

Retractable door system

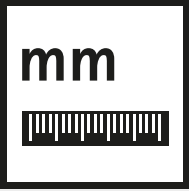
- ▶ KA 5740
- ▶ Summary



Performance summary

3

- ▶ Design principle
- ▶ General information
- ▶ Door format and door weight



Planning dimensions in brief

4



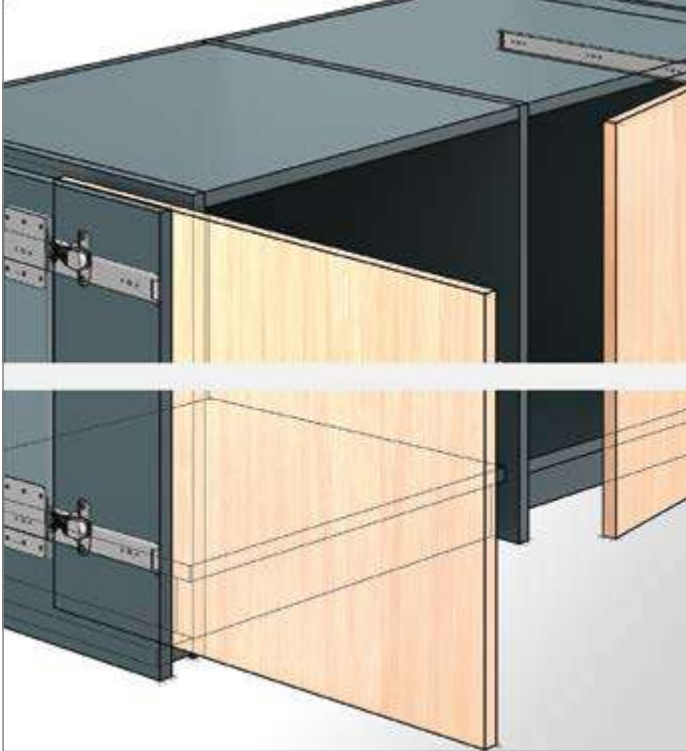
System components

5 - 6

Retractable door system

- ▶ KA 5740
- ▶ Performance summary

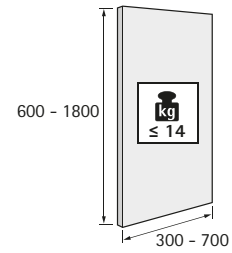
Design principle



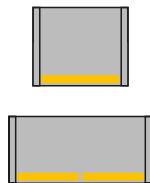
General information



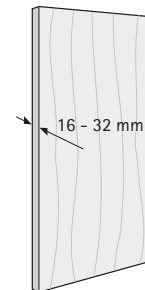
Door format and door weight



Number of door wings



Door material

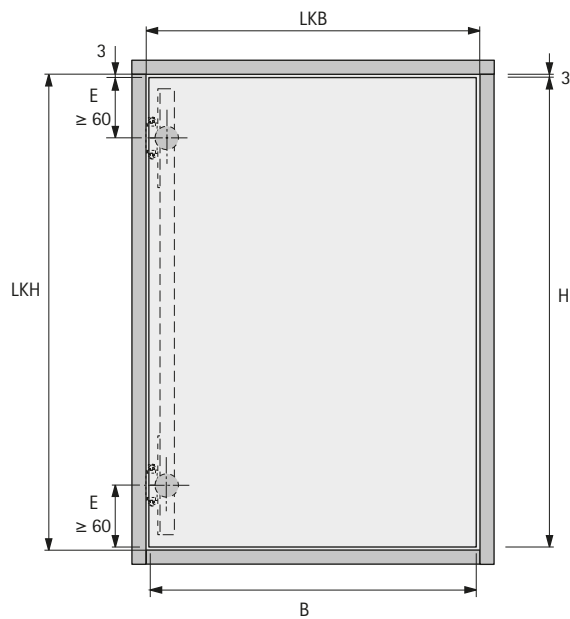


Retractable door system

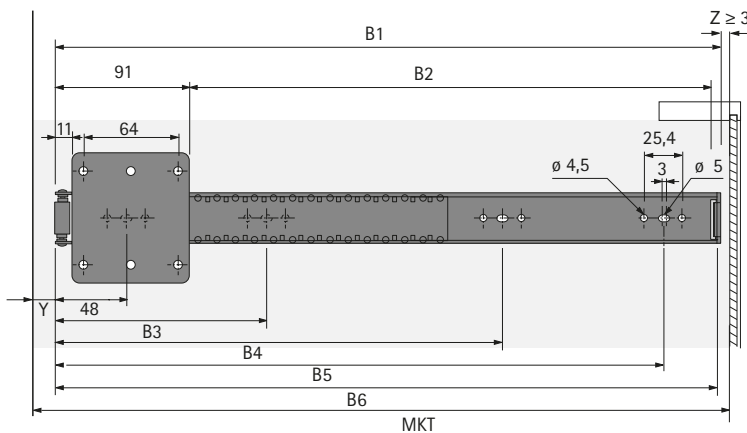
► KA 5740

► Planning dimensions in brief

Installation dimensions

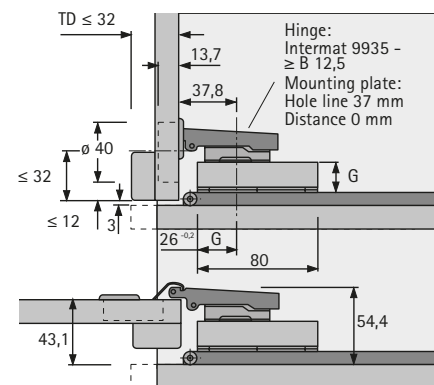
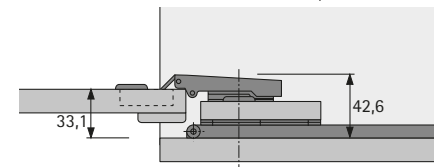
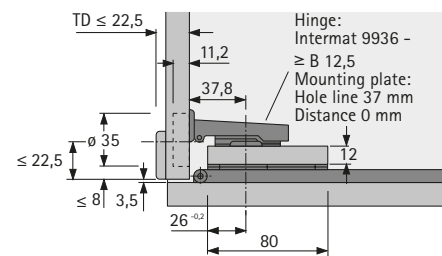
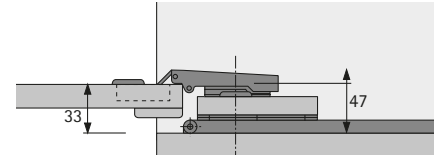
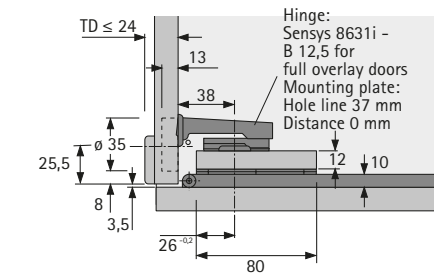


Door height (H) = inside cabinet body height (LKH) - 6 mm
 Door width (B) = inside cabinet body width (LKB) - 7 mm

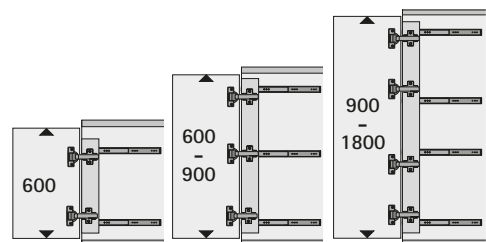


Positioning depth (Y) = door thickness (TD) + 2 mm
 Minimum cabinet depth (MKT) = nominal dimension (B1) + positioning depth (Y) + rear wall distance (Z)

Article	Dimension mm					
	B1	B2	B3	B4	B5	B6
KA 5740/350	352	256	304	-	-	350
KA 5740/400	402	306	368	-	-	400
KA 5740/450	452	356	144	304	400	450
KA 5740/500	502	406	176	336	464	500
KA 5740/550	552	456	208	368	528	550
KA 5740/600	602	506	240	400	560	600
KA 5740/650	652	556	272	432	624	650
KA 5740/700	702	606	304	464	656	700



Distance	G mm
5	16
3	18
1,5	19,5
0	21



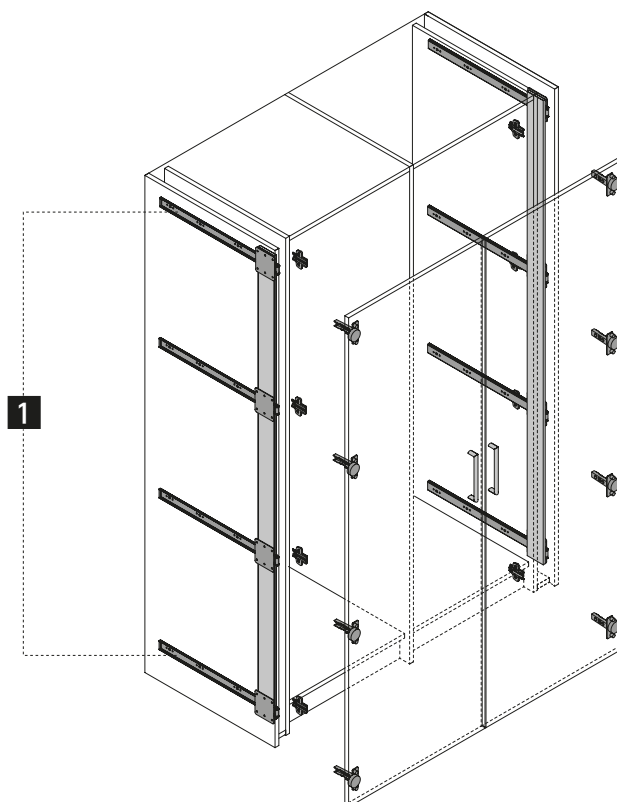
Recommended quantity of KA 5740 retractable door fittings depends on door height.

Retractable door system

▶ KA 5740

▶ System components

System summary



1 Door set



2 System accessories




Retractable door system


- ▶ KA 5740
- ▶ System components

1 Door set

- ▶ Set contains 2 ball bearing runners for 1 pocket door
- ▶ Concealed hinges and face frame hinges must be ordered separately

Illustration	Max. door width mm	Order no.	PU
	350	H 041 372	1 pair
	400	H 041 373	1 pair
	450	H 041 374	1 pair
	500	H 041 375	1 pair
	550	H 041 376	1 pair
	600	H 041 377	1 pair
	650	H 041 378	1 pair
	700	H 041 379	1 pair

2 Set of system accessories

Illustration	Description	Order no.	PU
	<ul style="list-style-type: none">▶ Set contains door stops, support rollers, rivets and fixing material for 2 flaps▶ The system accessories also allow you to slide flaps inside the top part of the cabinet cabinet body after opening them▶ Set of accessories assists the parking action and, when used on flaps, keeps them in the horizontal position	H 9 079 526	1 set