

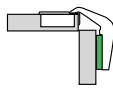
NEXIS CLICK-ON PCC

Pie-cut corner hinge (for corner applications)




- For connecting two corner cabinet doors
- For door thicknesses of 14–22 mm
- With self-closing mechanism (spring)
- 3-dimensional adjustment with corresponding mounting plate

ORDER INFORMATION

		Material			With spring	Art. No.	
		Cup	Arm			Click-on for screw fitting	
		Zamak, nickel-plated	Zamak, nickel-plated		■	F015072858	

COVER CAP

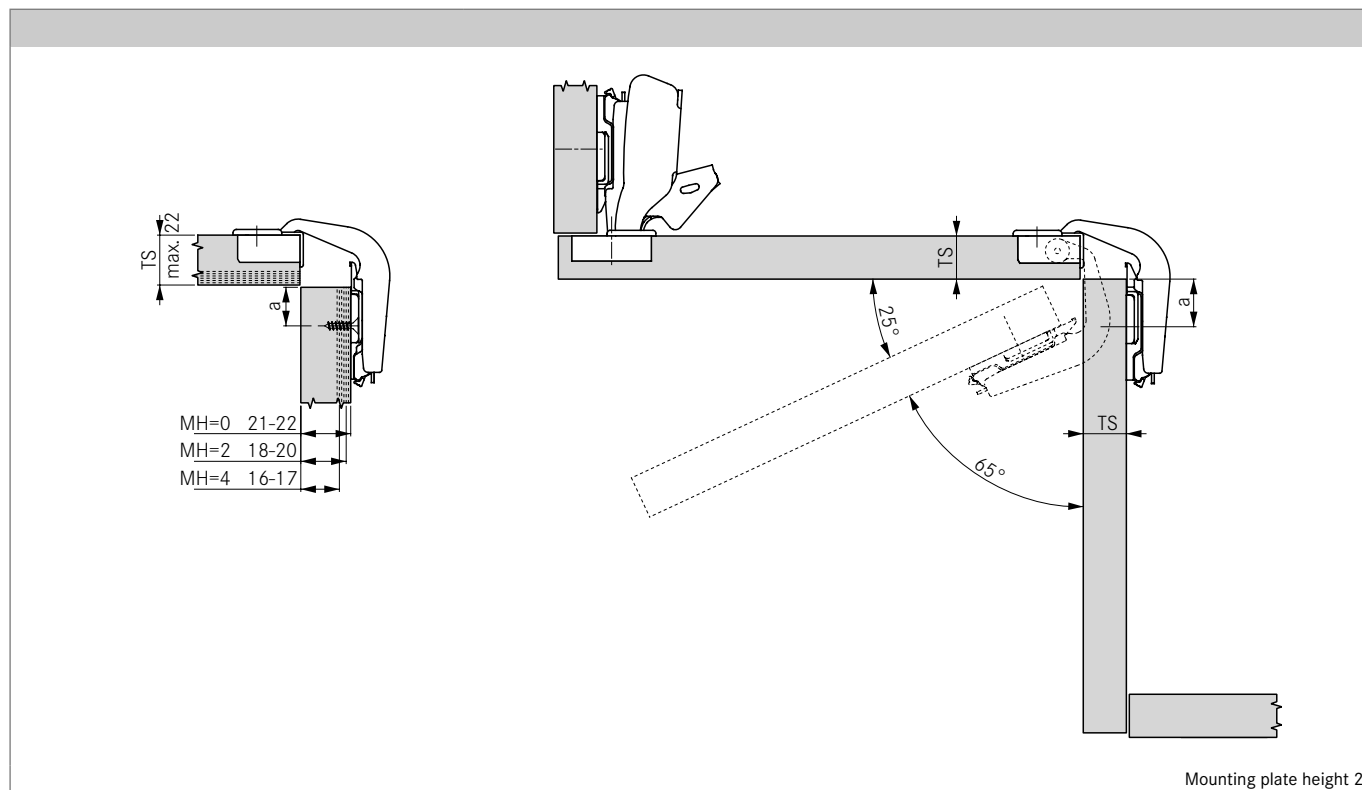
	Designation	Imprinted/embossed	Art. No.
	Hinge arm cover cap, steel, short, nickel-plated, not imprinted, compatible with Soft-close	On request	F069073570

PAGE REFERENCES

Nexis Click-on mounting plates	172	Assembly technology	637		
Accessories	180	Assembly aids	654		
Technical information	182				

PLANNING DIMENSIONS

All dimensions in millimetres



DISTANCE TABLE

	Mounting plate height			
	0	2	4	
16			25	
17			24	
18		22		
19		21		
20		20		
21	18			
22	17			
	Distance (a)			

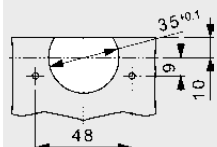
NOTES

Hinge dimensions and reveal calculation with factory setting.

We recommend a trial fitting.

DRILLING PATTERNS

For screw fitting



CUP DIMENSIONS

