

60cm Freestanding 14 Place DISHWASHER

PRODUCT CODE: **ED614BK**



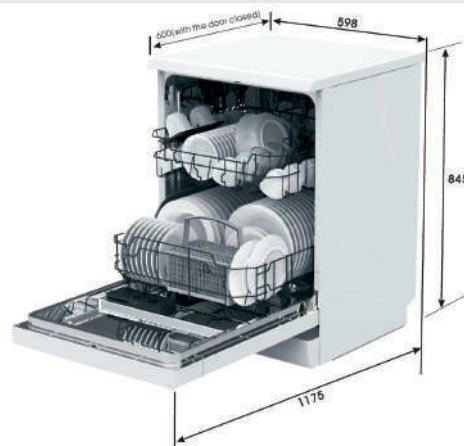
eurolappliance

3
YEARS

Warranty

PRODUCT DIMENSIONS

598mm wide x 600mm depth x 845mm height
(adjustable feet 20mm)



FEATURES:

- + 14 place setting
- + Black finish
- + Half load option
- + Delayed start function
- + Extra dry function
- + Height adjustable top basket
- + Child Lock Safety
- + Concealed Heating Element
- + Removable top cover
- + Start/Pause Option
- + 6 Wash programs
- + Intensive
- + Eco
- + 90 minute
- + Rapid
- + Heavy
- + Glass
- + 3 star energy rating
- + 4.5 star water rating

SPECIFICATIONS:

Water Consumption	12.5 Litres per wash (using eco program) (4.5 star water rating)
Energy Usage	295 kwh per year (Cold water connection, using ECO program seven times per week) (3 star energy rating)
Noise Level	49db
Inlet Hose/Drain Hose Length:	1.8m / 1.4m
Water Connection	Cold water (as dishwasher has its own heating element)
Weight	54.5kg (Gross) / 48.0kg (Net)

KEY FUNCTIONS

14 PLACE SETTINGS

With 14-place settings the ED614BK provides results with greater flexibility allowing you the flexibility to select the correct setting for your dishwashing requirements.

2 LEVEL HEIGHT ADJUSTMENT TOP BASKET

The adjustable top basket can be set higher or lower in the washing baskets, ensuring wash space for those larger cooking utensils and dishes.

SIMPLE ELECTRONIC PROGRAM CONTROLLER

This ED614BK dishwasher operates via an electronic push button control. You can select your preferred program by using the electronic push buttons on the top right of the front panel.

6 WASH PROGRAMS

The ED614BK dishwasher provides you with the choice of 6 different wash programs to ensure you can select the type of wash which best suits whether it be those few dirty dishes or after that large dinner party.

INSTALLATION INFORMATION

Please refer qualified installer to our product instruction manual.

FILTER CLEANING INFORMATION

Drain pump filter: requires cleaning monthly.
This will ensure no interruptions with the dishwasher operation.