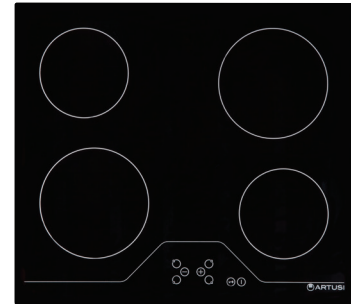
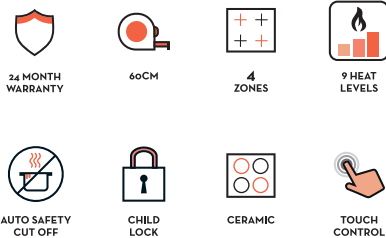


# 60cm Ceramic Cooktop

## MODEL CACC4A



## PRODUCT INFORMATION

### FINISH

- Black ceramic glass

### FEATURES

- 9 heat levels per zone
- easy-clean surface
- touch control
- low profile

### SAFETY

- residual heat indicators
- child safety lock
- key lock
- automatic safety cut off
- operating time safety limitation
- over heat switch off

### ZONES

- 4 heat zones -
  - front left: 1.8kW (Ø180mm)
  - rear left: 1.2 kW (Ø145mm)
  - rear right: 1.8 kW (Ø180mm)
  - front right: 1.2 kW (Ø145mm)



**CACC4A EAN TBC**

AR02042024

### DISCLAIMER

Eurolinx Pty Ltd & Worldwide Appliances Pty Ltd, is continually seeking ways to improve the design specifications, aesthetics and production techniques of its products. As a result alterations to our products and designs take place continually. Whilst every effort is made to produce information and literature that is up to date, this brochure should not be regarded as an infallible guide to the current specifications, nor does it constitute an offer for the sale of any particular product. Product dimensions indicated in our literature is indicative only. Actual product only should be used to define dimension cut outs. Distributors, and retailers are not agents of Eurolinx or Worldwide appliances and are not authorised to bind Eurolinx or Worldwide appliances by any express or implied undertaking or representation.

**FOLLOW US ON:**  [/artusi\\_kitchen\\_laundry\\_outdoor](https://www.instagram.com/artusi_kitchen_laundry_outdoor)

Australia National Telephone Number 1300 MYILVE (694 583) New Zealand Telephone Number 0508 550 550  
For showroom hours in your state, please check our website.

[artusi.com.au](http://artusi.com.au)

**NSW & ACT (Head Office)**  
48-50 Moore Street  
Leichhardt

**Victoria**  
2r/131 Church Street  
Hawthorn

**QLD**  
Contact Head Office

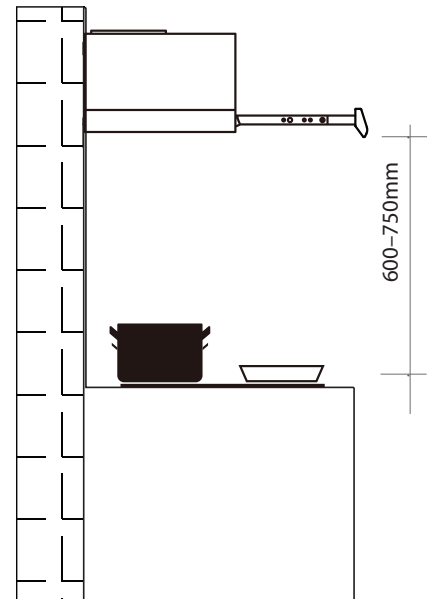
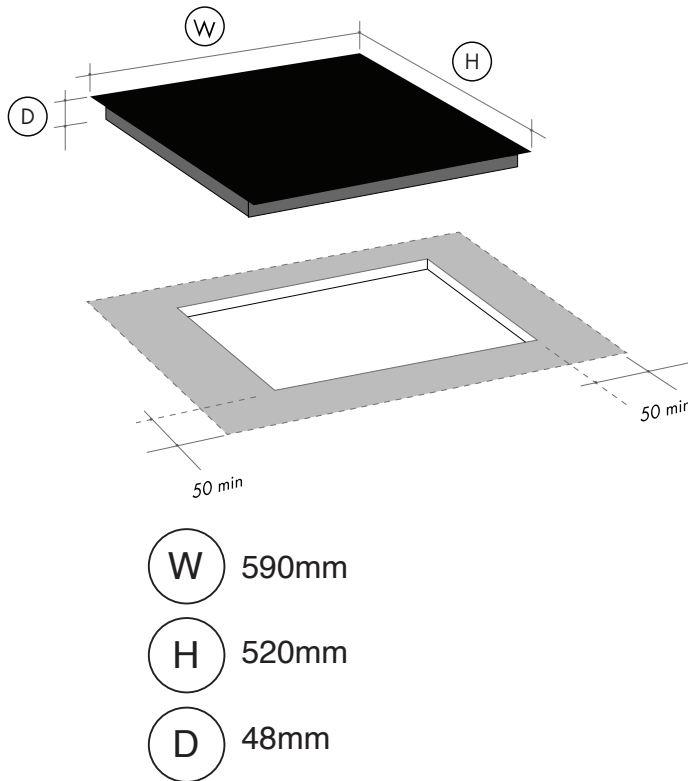
**WA & NT**  
Contact Head Office

**New Zealand**  
F.L Bone  
<https://flbone.co.nz>

# 60cm Ceramic Cooktop

**MODEL CACC4A**

## TECHNICAL DIAGRAM



NB: drawings are not to scale — they are to be used for detailed installation instructions, please refer to user guide.

### Technical Information

Electrical Connection: Hard Wired, 220–240V,  
lead not supplied  
Cutout: 560W x 490D

**CACC4A EAN TBC**

AR02042024

### DISCLAIMER

Eurolinx Pty Ltd & Worldwide Appliances Pty Ltd, is continually seeking ways to improve the design specifications, aesthetics and production techniques of its products. As a result alterations to our products and designs take place continually. Whilst every effort is made to produce information and literature that is up to date, this brochure should not be regarded as an infallible guide to the current specifications, nor does it constitute an offer for the sale of any particular product. Product dimensions indicated in our literature is indicative only. Actual product only should be used to define dimension cut outs. Distributors, and retailers are not agents of Eurolinx or Worldwide appliances and are not authorised to bind Eurolinx or Worldwide appliances by any express or implied undertaking or representation.

**FOLLOW US ON:**  [/artusi\\_kitchen\\_laundry\\_outdoor](https://www.instagram.com/artusi_kitchen_laundry_outdoor)

Australia National Telephone Number 1300 MYILVE (694 583) New Zealand Telephone Number 0508 550 550  
For showroom hours in your state, please check our website.

[artusi.com.au](https://www.artusi.com.au)

**NSW & ACT (Head Office)**  
48-50 Moore Street  
Leichhardt

**Victoria**  
2r/131 Church Street  
Hawthorn

**QLD**  
Contact Head Office

**WA & NT**  
Contact Head Office

**New Zealand**  
F.L Bone  
<https://flbone.co.nz>